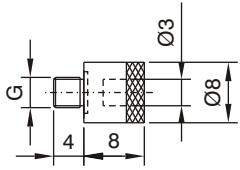


# THREAD-INSERTS

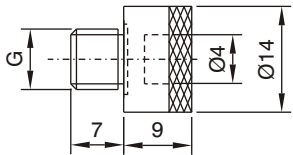
## Thread positioning inserts

### Type A



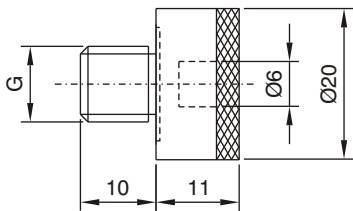
Order No.	Thread G	Pitch mm	Material
2.0-0.4 NGP	M2	0.4	Steel
2.5-0.45 NGP	M2.5	0.45	Steel
3.0-0.5 NGP	M3	0.5	Steel
4.0-0.7 NGP	M4	0.7	Steel

### Type B



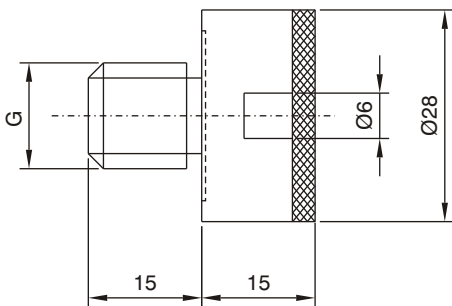
Order No.	Thread G	Pitch mm	Material
5.0-0.8 NGP	M5	0.8	Steel
6.0-1.0 NGP	M6	1.0	Steel
7.0-1.0 NGP	M7	1.0	Steel
8.0-1.25 NGP	M8	1.25	Steel
9.0-1.25 NGP	M9	1.25	Steel
10.0-1.5 NGP	M10	1.5	Steel

### Type C



Order No.	Thread G	Pitch mm	Material
11.0-1.5 NGP	M11	1.5	Steel
12.0-1.75 NGP	M12	1.75	Steel
14.0-2.0 NGP	M14	2.0	Steel
16.0-2.0 NGP	M16	2.0	Steel

### Type D



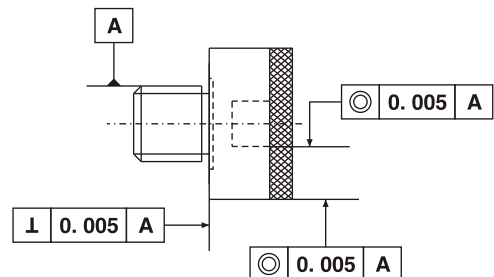
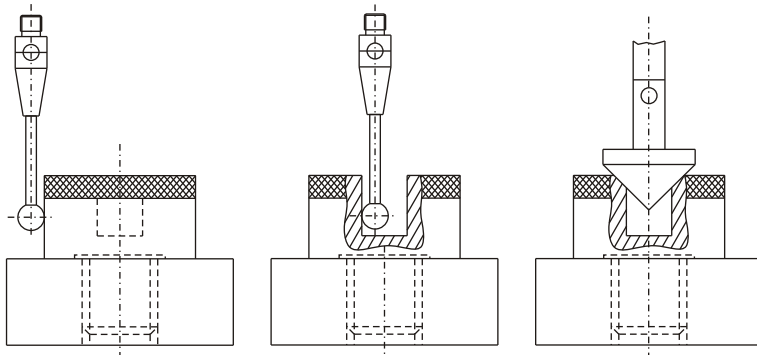
Order No.	Thread G	Pitch mm	Material
18.0-2.5 NGP	M18	2.5	Steel
20.0-2.5 NGP	M20	2.5	Steel
24.0-3.0 NGP	M24	3.0	Steel

Thread positioning inserts for accurate position measuring of tapped holes.

The following thread types are also available:  
**ISO M, ISO MF, Wwh, G, UNC, UNF, Helicoil**  
Please enquire for details.

#### Thread positioning inserts applications

#### Tolerances



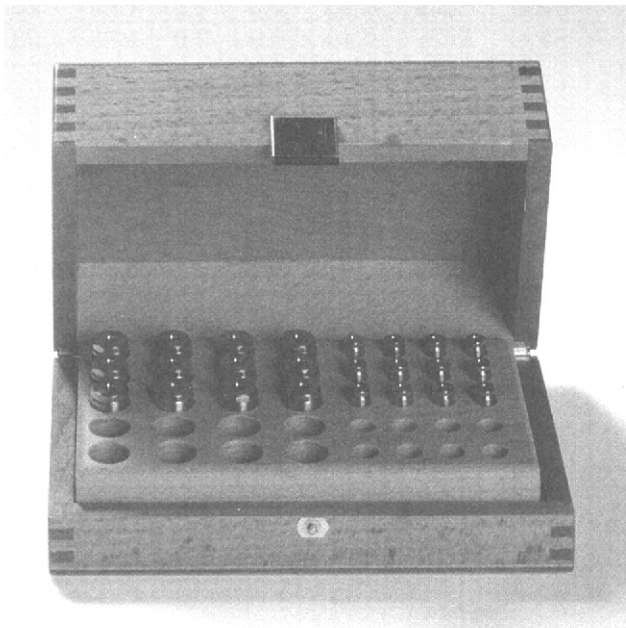
# THREAD-INSERTS SETS

Thread positioning inserts	Order No.	Type	Description
<b>Thread positioning insert sets</b>	2-10 NGSA	A	Thread positioning insert sets M2-M10
	12-24 NGSB	B	Thread positioning insert sets M12-M24

Delivery in a wooden case.

Thread positioning inserts are very useful for accurate position measuring of tapped holes. The wide range of inserts in the sets enable you to fast and precisely determine the position of the most commonly used thread sizes. Special sets with practically all types of thread can be custom-made to suit your requirements.

Your thread positioning inserts are protected from dust and damage in a generously sized wooden case.



Type A



Type B

Set (Type A) contains:			Draw.:
3 Pc	M2	2.0-0.4 NGP	Page 76
3 Pc	M2.5	2.5-0.45 NGP	Page 76
3 Pc	M3	3.0-0.5 NGP	Page 76
3 Pc	M4	4.0-0.7 NGP	Page 76
3 Pc	M5	5.0-0.8 NGP	Page 76
3 Pc	M6	6.0-1.0 NGP	Page 76
3 Pc	M8	8.0-1.25 NGP	Page 76
3 Pc	M10	10.0-1.5 NGP	Page 76

Set (Type B) contains:			Draw.:
3 Pc	M12	12.0-1.75 NGP	Page 76
3 Pc	M16	16.0-2.0 NGP	Page 76
3 Pc	M20	20.0-2.5 NGP	Page 76
3 Pc	M24	24.0-3.0 NGP	Page 76